



Automation for a Changing World

# Delta Human Machine Interface DOP-W Series



 **DELTA**  
Smarter. Greener. Together.



# One Touch Gives You Limitless Possibilities with HMI

Meets Customer Needs. Satisfies a Variety of Applications. Provides Multiple Functions. Creates the Ultimate in FA Equipment.



## Product Features

### The Ultimate in Industrial Versatility

- ▶ 1GHz high speed processor for higher computing performance
- ▶ Aluminum enclosure: greater vibration resistance and higher tolerance for ambient environments compared with plastic enclosure.
- ▶ The enclosure with dark gray mold texturing is easily cleaned and ideal for medical and food sectors.
- ▶ 1024 x 768 pixels high resolution and high brightness display (W127B: 500 cd/m<sup>2</sup>, W157B: 450 cd/m<sup>2</sup>)
- ▶ 256MB Flash ROM
- ▶ Highly reliable touch panel with min. 10,000,000 touches



### Front Speaker

- ▶ The built-in stereo amplifying speaker provides efficient alarm notifications. No additional speaker is required.
- ▶ Apart from replacing general alarm with buzzers, functions for playing recorded voice and reminders are available for multiple applications.
- ▶ Mechanism design breakthrough. Front panel including the front speaker has acquired the IP65 waterproof certificate.



### Multiple Peripheral Interfaces

- ▶ Supports 2 COM Ports
- ▶ Supports 2 Ethernet Ports
- ▶ Supports 3 USB Host 2.0 Ports
- ▶ Supports SD card
- ▶ Apart from traditional mounting, DOP-W also supports VESA standard mounting interface making wall mounts easier.

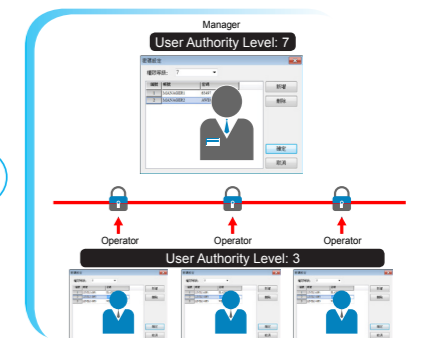
\* VESA mounting interface is only available on devices above 12 inches.



### Multi-User Authority Management

This function allows users to assign authority levels and register passwords to set permissions for different user groups for security control. No need for third-party configuration and set-up costs.

- ▶ 8 levels of user authority Level: 0 ~ 7
- ▶ 8 sets of user accounts with passwords for each user authority level

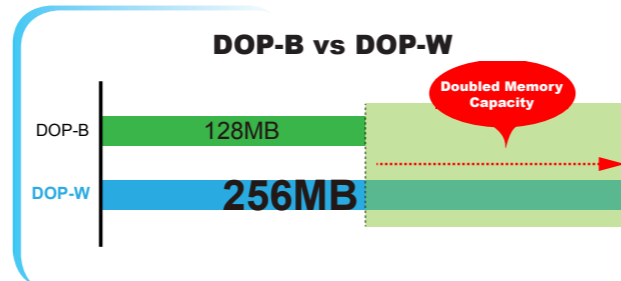




## Product Features

### High-Capacity Memory

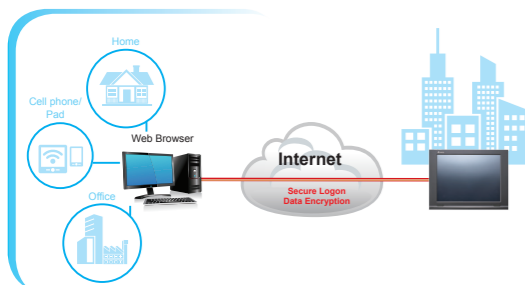
- Increased memory capacity stores more nonvolatile data, such as alarm messages and historical records than ever before for power-loss protection.



### More Powerful Remote Monitoring Function

- Compatible with eRemote
- Supports VNC Server
- Monitoring by eRemote software or web browser on PC
- Apps for eRemote or VNC Client support Apps on Android devices
- VNC Client supported Apps on iOS devices

\* Supports VNC function only during the launching period. eRemote of PC/Android version for DOP-W are scheduled for release in January 2015.  
\*\* JAVA is required in web browsers.



### Two Individual Ethernet Ports

- Two individual Ethernet ports are equipped as standard, one is for HMI communication and the other is for external I/O for quick and easy integration.



### Multilingual Display

- In addition to English and numbers, 16 languages are supported with more localized interface

\* Supports English, Traditional Chinese, and Simplified Chinese only during the launching period.

\*\* Other languages such as Arabic, French, German, Hebrew, Hindi, Portuguese, Spanish, Japanese, Korean, Thai, Turkish, Russian, and Persian are continually added.



### Video Player

- A new video player with self-defined playlist allows users to manage the list based on different applications.

\* Supported Format: MPEG1, MPEG2, WMV



## Specifications

MODEL		DOP-W105B	DOP-W127B	DOP-W157B
LCD MODULE	Display Type	10.4" TFT LCD	12.1" TFT LCD	15" TFT LCD
	Resolution	800 x 600 pixels	1024 x 768 pixels	
	Backlight	LED Backlight		
	Backlight Life	less than 10,000 hours	less than 30,000 hours	less than 80,000 hours
	Luminance	300 cd/m <sup>2</sup> (Typ.)	500 cd/m <sup>2</sup> (Typ.)	450 cd/m <sup>2</sup> (Typ.)
	Display Size	211.20 x 158.40mm	245.76 x 184.32mm	304.1 x 228.1mm
MCU		ARM Cortex-A8 (1GHz)		
NOR Flash ROM		256 MB		
SDRAM		256 MB		
Backup Memory		800,000 numbers of data (alarm data + historical data)		
Touch Screen Interface		4-wire resistive touch screen > 10,000,000 operated		
Buzzer		Multi-Tone Frequency (2K ~ 4K Hz) / 80dB		
Audio Output		Stereo Headphone jack	Stereo Headphone jack + Built in 1.5W Speaker	
USB		3 USB Host Ver 2.0		
SD		SDHC x 1		
Serial COM Port	COM1	N/A		
	COM2	RS-232 / RS-422 / RS-485 (has built-in isolated power circuit <sup>(Note 1)</sup> )		
	COM3	RS-232 / RS-422 / RS-485 (has built-in isolated power circuit <sup>(Note 1)</sup> )		
Ethernet		2 Ports IEEE 802.3 (10BASE-T) IEEE 802.3u (100BASE-TX) IEEE 802.3x (Full Duplex and flow control)		
Perpetual Calendar (RTC)		Built-in		
Cooling Method		Natural air circulation		
Safety Approval		CE / UL		
Waterproof Degree		IP65 / NEMA4		
Operation Voltage <sup>(Note2)</sup>		DC +24V (-10% ~ +15%) (has built-in isolated power circuit)		
Voltage Endurance		AC500V for 1 minute [ between charging (DC24V terminal) and FG terminals ]		
Power Consumption <sup>(Note 2)</sup>		13.5W (Max)	18.5W (Max)	21.6W (Max)
Backup Battery		uses a gold-capacitor instead of a battery, no need replacement of batteries		
Backup Battery Life		It can keep the RTC working at least seven days in a working environment where the conditions do not exceed the specifications for the DOP-W series.		
Operation Temperature		0 °C ~ 50 °C		
Storage Temperature		-20 °C ~ +60 °C, 10% ~ 90% RH		
Ambient Humidity		10% ~ 90% RH [ 0 ~ 40 °C ] , 10% ~ 55% RH [ 41 ~ 50 °C ] , Pollution Degree 2		
Vibration		IEC61131-2 compliant 5Hz ~ 8.3Hz = Continuous: 3.5mm, 8.3Hz ~ 150Hz = Continuous: 1G		
Shock		IEC 60068-2-27 compliant 15g peak for 11 ms duration X, Y, Z directions for 6 times		
Dimensions (W) x (H) x (D)mm		299 x 224 x 46.8	313 x 239.5 x 67.5	384.4 x 295.8 x 67.8
Panel Cut-out (W) x (H)mm		285.2 x 210.2	302.7 x 228.7	372.4 x 283.7
Weight		Approx. 1,750g	Approx. 2,830g	Approx. 3,880g

#### NOTE:

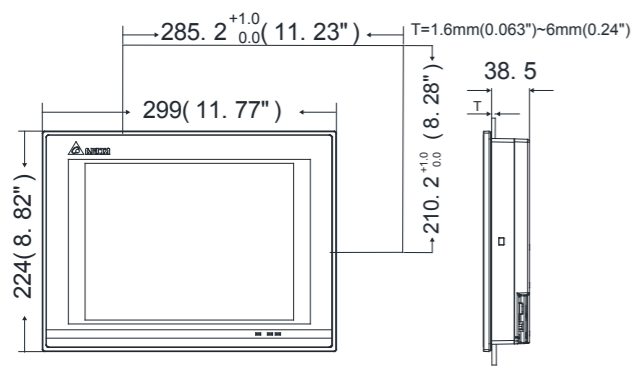
1) The isolated power circuit can withstand voltage of a 1500V peak for 1 minute.

2) The value of the power consumption indicates the electrical power consumed by HMI only without connecting to any peripheral devices. To ensure normal operation, it is recommended using a power supply with a capacity that is 1.5 ~ 2 times the value of the power consumption.

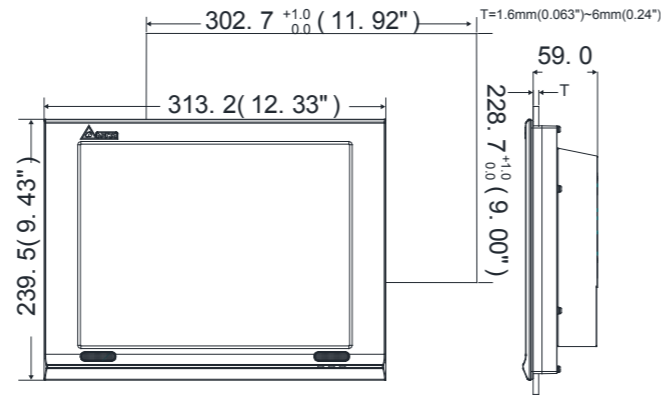
3) The content of this brochure may be revised without prior notice. Please consult our distributors or download the most updated version at <http://www.deltaww.com>.

# Product Dimensions Unit: mm (inches)

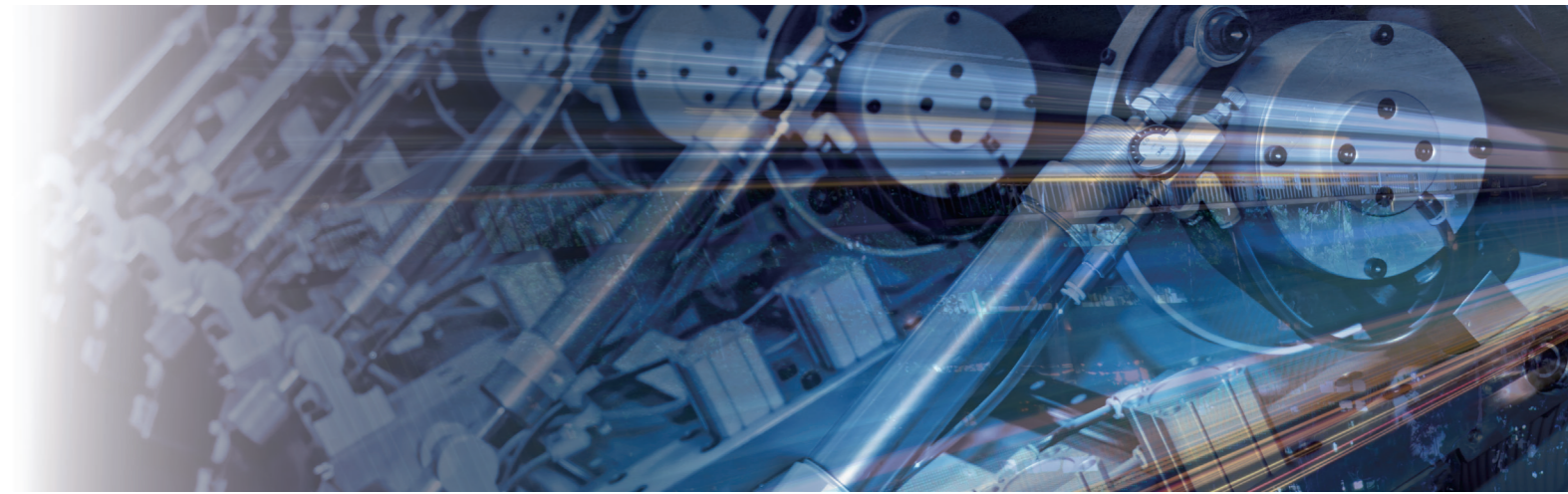
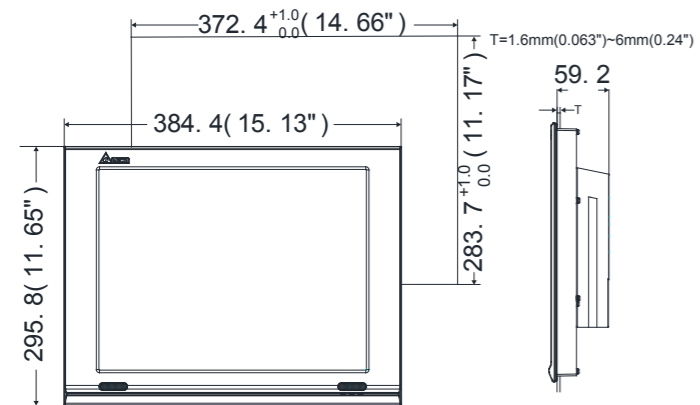
## ▪ DOP-W105B (Panel Cut-out)



## ▪ DOP-W127B (Panel Cut-out)



## ▪ DOP-W157B (Panel Cut-out)



---

---

---

---

---

---

---

---

---

---

---

---

---

---

---

---

---

---

---

---

---

---

---

---

---

---

---

---

---

---

## Ordering Information

